

RYKEN POWERED ASSET TRACKER

Hardware Specifications

The Ryken Powered Asset Tracker gives you real-time visibility and complete control of your valuable, powered assets.

FEATURES AND BENEFITS

- Real-Time Asset Location Intelligence
- Movement Notifications
- Tamper Alerts
- Internal Backup Battery Included
- Low Power Consumption
- Asset-Tracking Reports
- Full Visibility Using Any Mobile Device
- Enterprise Carrier Grade Data Security
- NO CONTRACTS, NO MONTHLY FEES

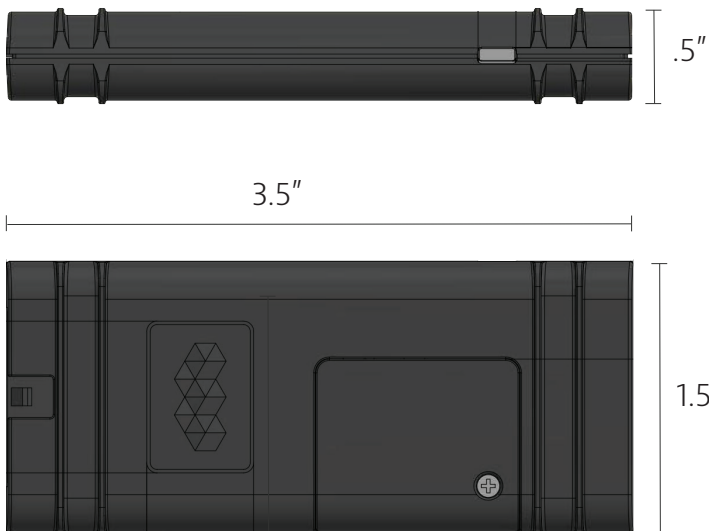


ANTI-THEFT AND RECOVERY FEATURES

- | | |
|--------------------------|--|
| • Geofence Technology | • Create geofence boundaries and get instant notifications when assets exit or enter perimeter |
| • Starter-Interrupt Tool | • Enables you to remotely disable vehicle |
| • Recovery | • Assign recovery specialist in app to share location intelligence |



POWERED ASSET TRACKER Hardware Specifications



CELLULAR TECHNOLOGY

- 4G LTE Cat-M Technology - Fully 5G-network compliant
- Integrated Hyper Sensitive GPS and Cellular Antenna

GPS FUNCTIONALITY

- Processor: 56 Channel
- Location Accuracy: Up to 2.5 feet

POWER PROFILE

- Lowest power consumption available, ensuring minimal impact on vehicle batteries - (Uses approx. 1/1000th power of a smart phone.)

ENVIRONMENTAL

- Operating Temperature: -22° F to +167° F
- Dust Resistant
- Designed to withstand harsh environments

PHYSICAL SPECIFICATIONS

- Dimensions: 3 1/2" x 1 1/2" x 1/2"

CERTIFICATIONS

- Fully Certified and Industry Compliant: FCC, PTCRB, RoHS2

